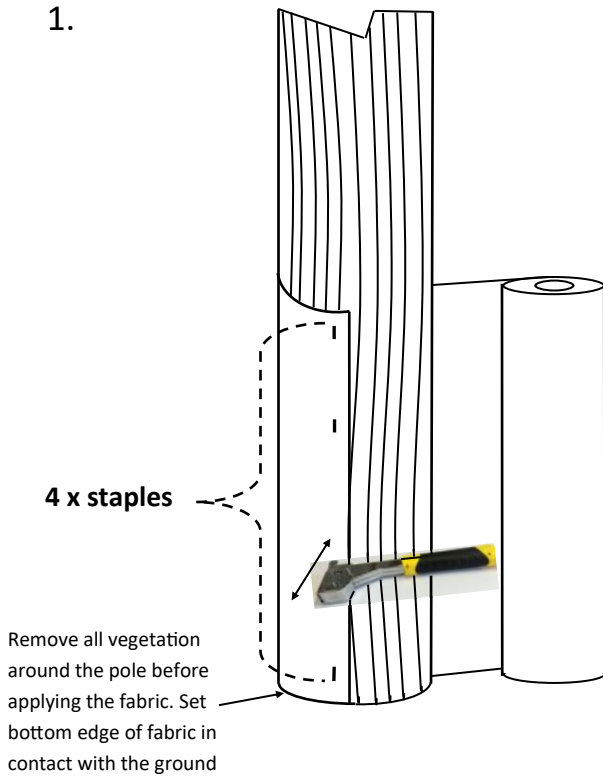
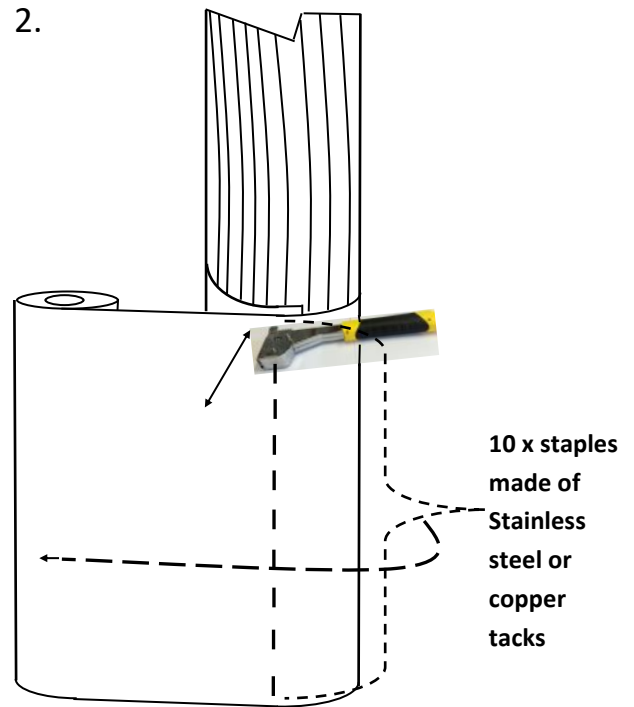


Polesaver Fire Fabric application instructions

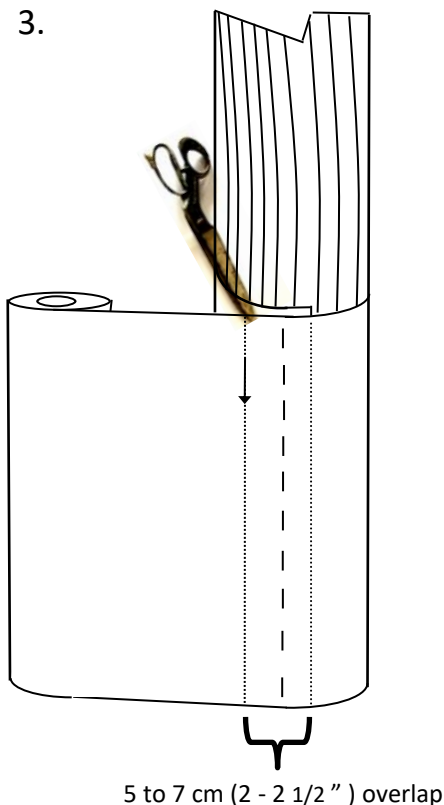
1.



2.



3.



To cover the pole to a height of approx. 2.4 metres.

1. Wrap the fabric around the pole to a height of 1 metre and staple it in place. **Before cutting the fabric,** wrap it around the pole a second time. Overlap by approximately 5 to 7cm (2—2 1/2") and cut to part this from the roll.
2. Now unwind the this section of fabric off the pole and cut approximately 2 cm out from the staples. (see fig 3)
3. This will leave you with a piece of fabric the correct length to wrap around the upper part of the pole above the first wrap.
4. Wrap this piece of fabric around the pole overlapping the lower fabric section by approximately 5cm (2") and staple in place as per the instructions above.

Note

Do not apply more than one layer of fabric to the pole or performance will be compromised

DOC REF PEL_DOC_ED_009